

PDVM Modular System

PDVM is a 4U modular rack mount system. It integrates many required optical components used in the Photonic Doppler Velocimetry (PDV) technique. The modular chassis is field serviceable and comes with a swappable controller and a swappable power supply. Each system has 8 slots available to house and control a wide array of plug-and-play modules, making the PDVM easy to configure for optimal PDV measurements.



FEATURES

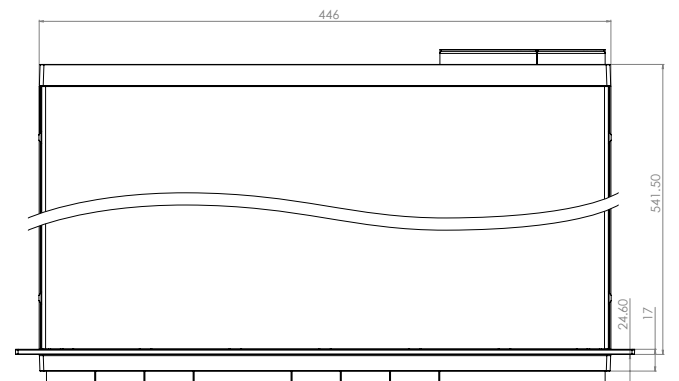
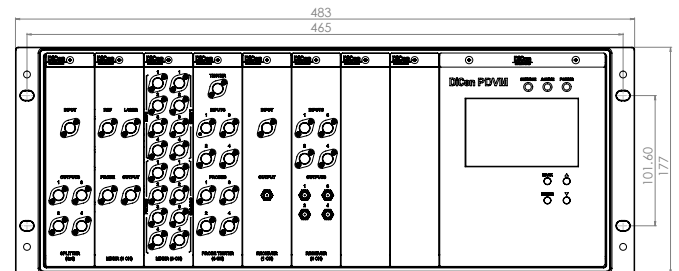
- Plug and Play Modularity
- Intuitive Front Panel
- Ethernet, RS-232, or Web GUI
- Front or Back Loading Options
- Expandable with Additional Chassis

MAINFRAME

Chassis Type	19", 4U Extended Rackmount
Plug-In Module Slots	8 per Chassis
Input Voltage	90 - 264 VAC
External Fuse	2 A typ.
Operating Temperature	0 to 50°C

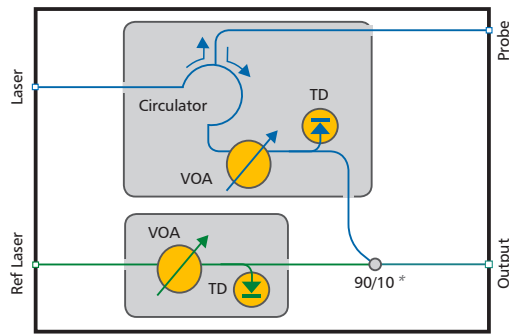
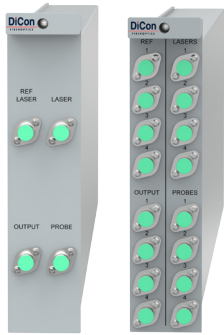
MECHANICAL SPECIFICATIONS

Dimensions in mm



PDVM Plug-In Modules

Mixer



* Custom Ratios Available Upon Request

PDVM - MX -

No. of Channels

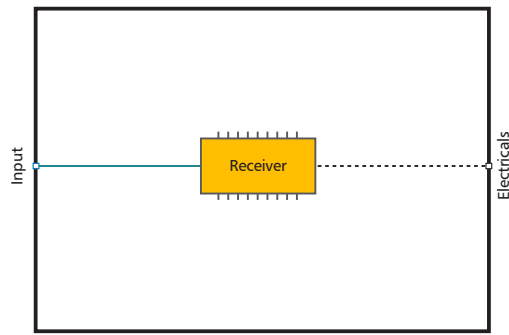
- 1** 1Ch
- 4** 4Ch

Connector Type

- FC/APC** FC/APC
- LC/APC** LC/APC

Insertion Loss (IL)	Laser to Probe	0.8 dB max.
	Probe to Output	3.4 dB max.
	Ref to Output	12.6 dB max.
Attenuation Range		30 dB min.
Measurable Power Range		-25 to +27 dBm
Input Optical Power		500 mW max.

Receiver (1Ch or 4Ch)



PDVM - REC - 01 -

No. of Channels

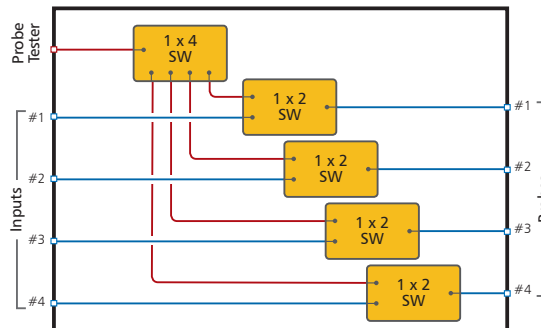
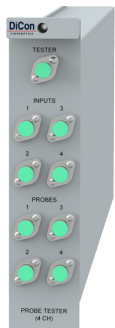
- 1** 1Ch
- 4** 4Ch

Input Connector Type

- FC/APC** FC/APC
- LC/APC** LC/APC

Type 01	25 GHz Thorlabs RX25AF
---------	---------------------------

Probe Tester (4Ch)



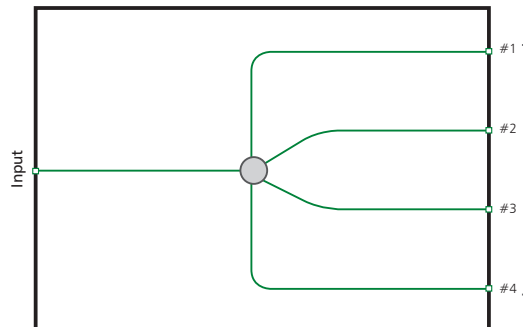
PDVM - PT4 -

Connector Type

- FC/APC** FC/APC
- LC/APC** LC/APC

IL	Input to Probe	0.9 dB max.
	Probe Tester	1.6 dB max.
Crosstalk / Off State		-50 dB max.
Optical Power		500 mW max.

Splitter (4Ch)



PDVM - SPL4 -

Connector Type

- FC/APC** FC/APC
- LC/APC** LC/APC

Split Ratio	25:25:25:25
Insertion Loss	7.0 dB max.
Input Optical Power	2.0 W max.