

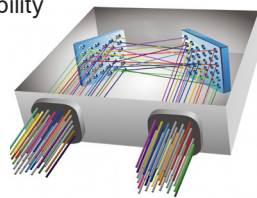
MEMS 16X16 OPTICAL MATRIX SWITCH MODULE

SX1 Model, Single Mode Fiber, Performance Grade



MEMS Optical Matrix Switch Module is built with DiCon's proprietary MEMS technology. Each module contains 2 sets of MEMS mirrors for making 1-to-1 connections between input and output ports. The MEMS mirrors are held in position using precisely calibrated voltages and require no feedback control. This unique quality enables the switch to maintain stable connections and allows the device to function when there is no light in the fiber. This innovative platform has an outstanding track record and delivers best-in-class optical performance

- Proven MEMS technology
- Lifetime > 10⁹ switch cycles
- No dithering or active alignment artifacts
- Switches and holds dark fiber connections
- Low insertion loss with excellent stability
- Compact and lightweight
- Asymmetric MxN available



About DiCon

- Headquartered in California since 1986
- US based in-house MEMS fab
- Over 3 million MEMS mirrors produced since 1999
- Manufactures TAA compliant products

ORDERING INFORMATION

SX1 - P - **9** - - **T** - - **N** -

Grade

P Performance

Switch Configuration

16x16 16x16

MxN M≤16, N≤16

Fiber Type

9 9/125 μm SMF

**Other fiber options available upon request*

Test Wavelength

O 1310 nm

E 1410 nm

S 1495 nm

C 1550 nm

L 1590 nm

U 1650 nm

**Use "/" to add multiple wavelengths. E.g., O/C or O/C/L*

Fiber Jacket

T 900 μm Tight Buffer

**Other fiber options available upon request*

Connector Type

N None

FC FC/UPC

FC/APC FC/APC

LC LC/UPC

LC/APC LC/APC

SC SC/UPC

SC/APC SC/APC

**Other connector types available upon request*

Connector Key Orientation

N None

Pigtail Length

1 1 Meter

X Specify X Meters

**Tolerance is +/- 0.05 m*

MEMS 16X16 OPTICAL MATRIX SWITCH MODULE

SX1 Model, Single Mode Fiber, Performance Grade

OPTICAL SPECIFICATIONS¹

Operating Wavelength	1260 to 1675 nm
Insertion Loss ²	< 0.8 dB
Loss Repeatability ³	+/- 0.01 dB
Connection Stability ⁴	+/- 0.01 dB
Connection Stability (Short Term) ⁵	+/- 0.005 dB
PDL	< 0.1 dB
WDL ⁶	< 0.3 dB
Crosstalk	< -70 dB
Back Reflection	< -50 dB
Optical Transition Time ⁷	< 25 ms
Switch Lifetime	> 1 Billion Cycles
Input Power Range	Dark to +27 dBm

1. Measured separately for each Test Wavelength at 23°C
2. Measured with 3-jumper method or equivalent. See TIA/EIA 526-7
3. Over 100 cycles
4. 1 Hz sampling rate for 15 min
5. 10 KHz sampling rate for 10 Sec
6. Test Wavelength +/-20nm
7. Optical transition time for all ports switching concurrently, not including command processing overhead

ELECTRICAL SPECIFICATIONS

Module Power Consumption	3.8 W max. Operating 6.5 W max. Start Up
Supply Voltage	12V DC
Module Interface	16-Pin Samtec
Module Control	USB, RS232, I ² C

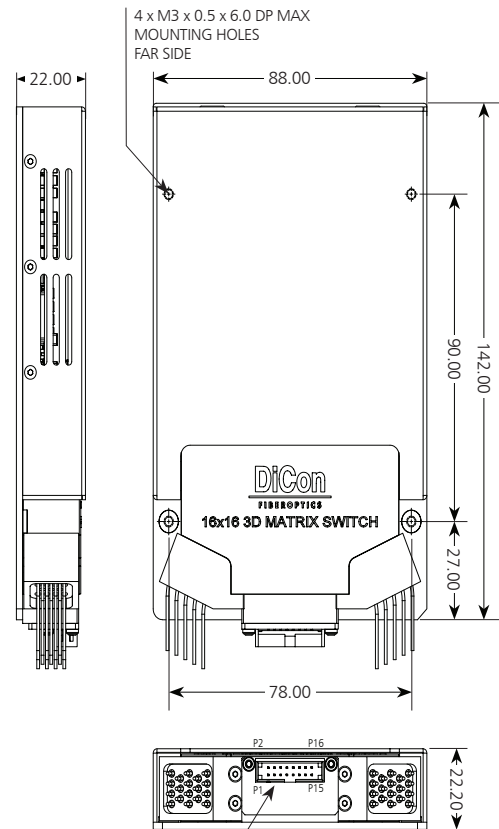
ENVIRONMENTAL SPECIFICATIONS

Operating Temperature	0 to 50°C, < 85% RH
Storage Temperature	-40 to 70°C, < 40% RH

MECHANICAL SPECIFICATIONS

Module Size	142 mm x 88 mm x 22 mm
Module Weight (with fibers)	0.42 kg

Dimensions in mm



MATING CONNECTOR
P/N: TCSD-08-01-F-N

SAMTEC CONNECTOR
P/N: STMM-108-02-G-D