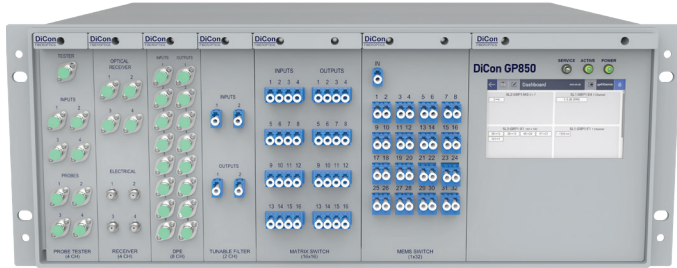


# GP850 GENERAL PURPOSE

## Expandable Test Platform



DiCon's **GP850** is a flexible, modular rackmount system designed to automate fiber optic testing. Up to eight plug-and-play slot cards containing various devices such as switches, VOAs, tunable filters, etc. can be added or changed as test requirements change. The devices on and configuration of the slot cards can also be customized. An additional expansion chassis can increase the total slots to sixteen. Full control is simple and intuitive through a single interface.

- Plug and play modularity
- Full control via a single interface
- Wide selection of optical devices and slot cards

### ORDERING INFORMATION

GP850 -  -  -

Type

- CS** Chassis (Main)
- EC** Expansion Chassis

PSU

- A1** AC 100-240V Single
- D1** DC -48V Single
- A2** AC 100-240V Redundant
- D2** DC -48V Redundant

Slot Card Location

- F** Front Loading
- R** Rear Loading

### Sample Order

For a front loading GP850 system containing two 1x24 switches and one 16x8 3D matrix switch, the following would need to be ordered:

Qty 1 of GP850 Chassis

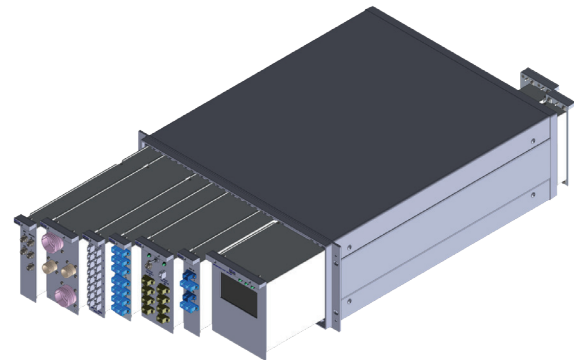
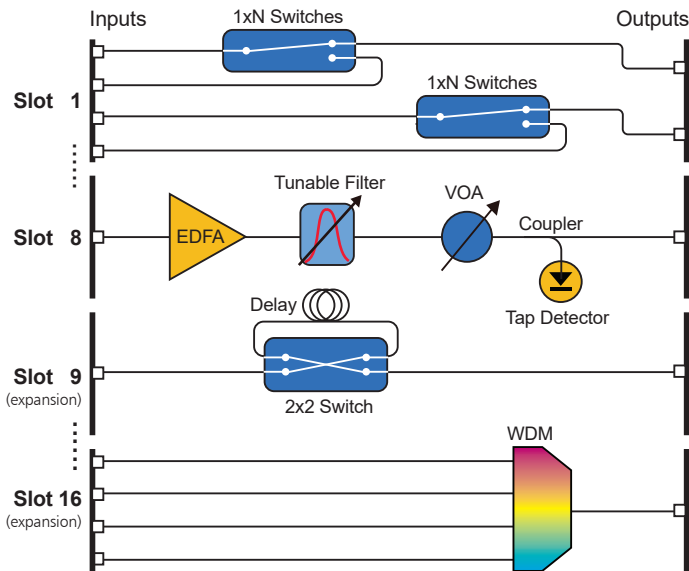
P/N: GP850-CS-A1-F

Qty 2 of GP850 1x24 Switch Module

P/N: GP850-SL-M-2/1x24-2S-P-9-C-0-FC-N

Qty 1 of GP850 16x8 3D Matrix Switch Module

P/N: GP850-SL-X-1/16x8-2S-N-9-C-N-FC-N



# GP850 GENERAL PURPOSE

## Expandable Test Platform

### OPTICAL SPECIFICATIONS

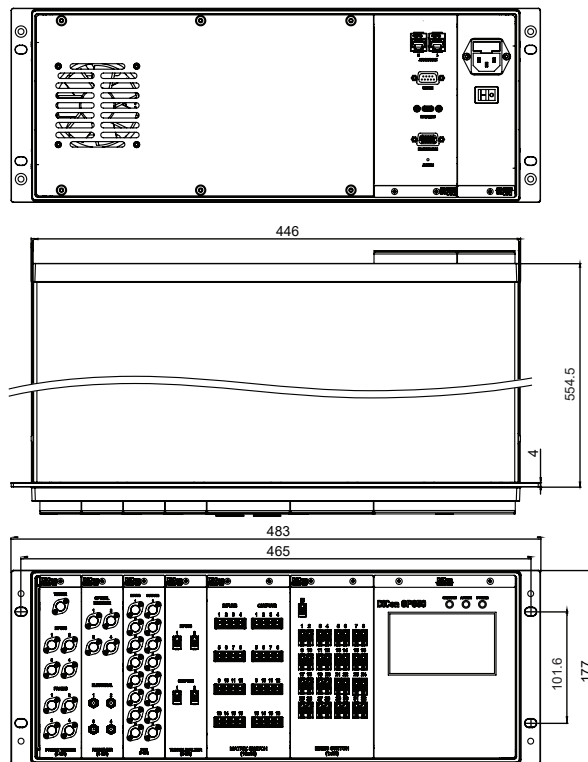
Optical devices on slot card	Switch, VOA, tunable filter, WDM, detector, transceiver, optical amplifier, laser, fiber delay, and more
Operating wavelength	780 to 2300 nm, other
Fiber type	SMF-28, OM4, Panda, other

### CHASSIS SPECIFICATIONS

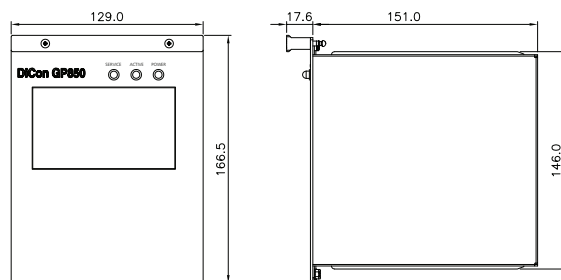
Maximum number of slot cards	8 16 total with expansion chassis
Control Interfaces	Dual Gigabit Ethernet (RJ45 Female) RS-232 (DB9 Female)
Power Supply	100-240 VAC
Software Interface	REST API, Web GUI, Serial, SSH, Telnet
Chassis Dimensions (WxHxD)	483mm x 177mm (4U) x 554.5mm
Operating temperature	0 to 50°C
Storage temperature	-20 to 60°C
Environment Relative Humidity	0 to 80% non-condensing
Fiber connectors	LC, FC, MTP, other

\* Please contact DiCon Fiberoptics to discuss any special requirements not defined above.

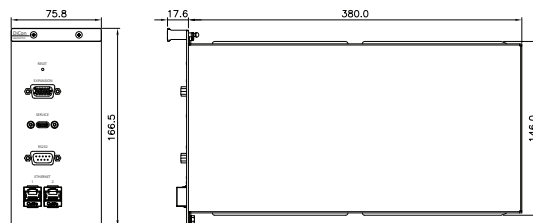
Dimensions in mm



#### Display Unit



#### Control Unit



#### Power Unit

