

# MODULE BREAKOUT BOARD

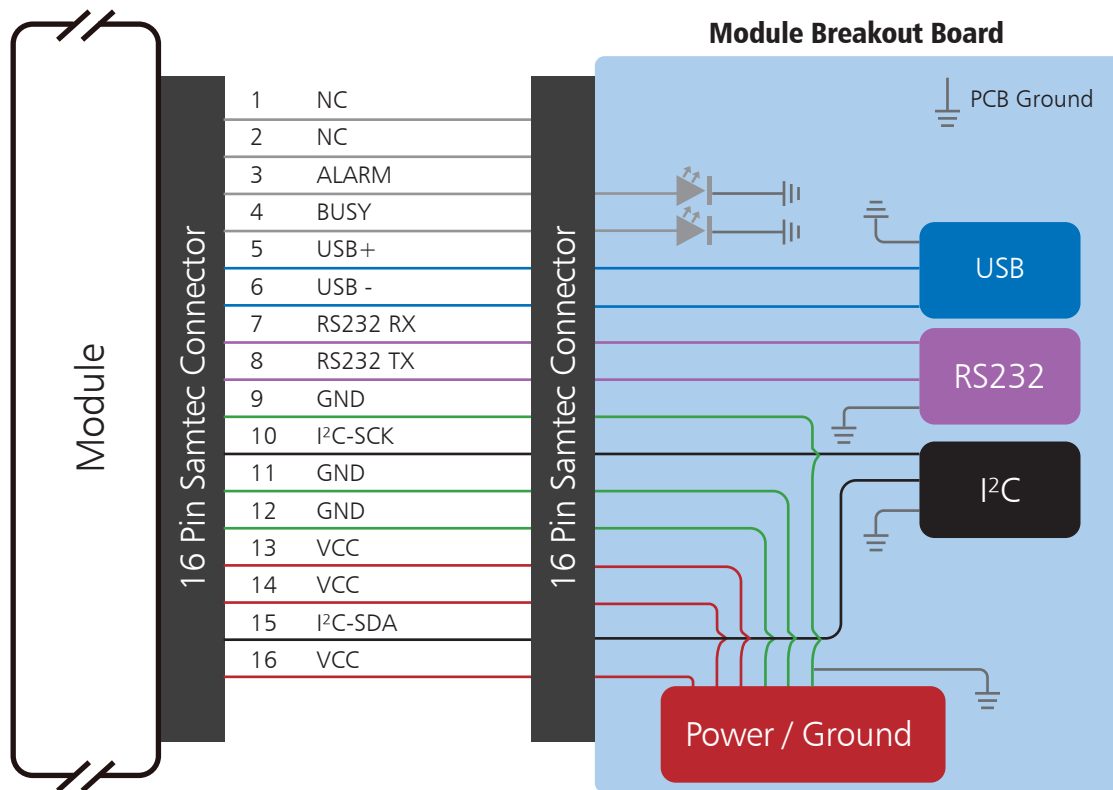
DiCon's Module Breakout Board (MBB) breaks out the control and power lines from the 16 pin Samtec connector on the optical module and routes them to their own corresponding connector. This allows the user to connect to the module using standard USB or RS232 interface connectors.



The MBB comes as a kit that also includes a universal power adaptor and a 16 pin module cable, helping to further simplify the setup.

## KEY FEATURES

- USB-C and RS232 Serial Interface Ports
- 12 VDC Power Jacket
- Compact Form Factor



# MODULE BREAKOUT BOARD

## KIT INCLUDES

Module Breakout Board
Universal AC Power Adapter (12V / 6.6A)
16 Pin Module Cable, 450 mm Long +/- 30 mm

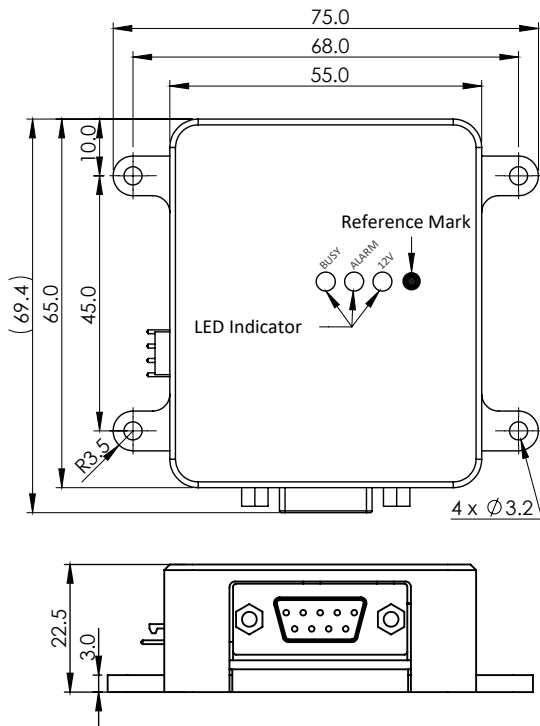
## RS232 PINOUT

PIN NUMBER	DESCRIPTION
1	No Connection
2	Transmit Data
3	Receive Data
4	No Connection
5	Signal Ground
6	No Connection
7	No Connection
8	No Connection
9	No Connection

## I<sup>2</sup>C PINOUT

PIN NUMBER	DESCRIPTION
1	GND
2	SDA
3	SCL
4	N/A

## MECHANICAL DRAWING



## ORDERING INFORMATION

**MBB - PIP5 -**

Use with Physical Interface Protocol

**PIP5** Physical Interface Protocol Type 5.0

For legacy MS, MIN & DPE modules use RS-232 Cable Kit.

Interface Types

**UDI** USB, RS232 & I<sup>2</sup>C

**RS2** RS232 only

## ELECTRICAL SPECIFICATIONS

PARAMETER	RATING	
Control Interface Type	USB-C, RS232 & I <sup>2</sup> C	
Connectors	USB	USB-C
	RS232	DB9 (female)
	I <sup>2</sup> C	Molex 22-12-2044
	MBB	Samtec STMM-108-02-G-D
	DC Power	2 x 5.5 mm Power Jack
MBB Supply Voltage	12 VDC	
AC Adapter Input Voltage	100 to 240 VAC	

## CONNECTORS

