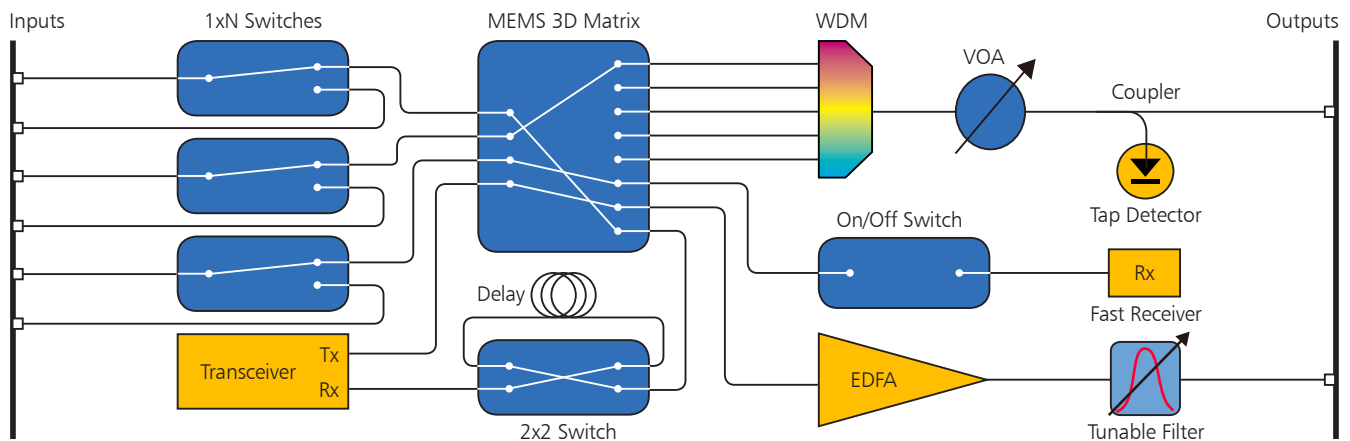
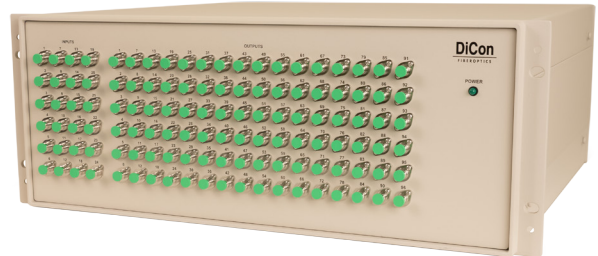


GP600 GENERAL PURPOSE CONFIGURABLE RACKMOUNT SYSTEM

GP600 OVERVIEW

The GP600 is a flexible rackmount system that can be built with any combination of fiber optic device, such as Optical Switches, WDMs, VOAs, Couplers, Tap Detectors, Transceivers, Delays, EDFAs, Fast Receivers, Tunable Filters, etc.



FEATURES

- Control via a single interface
- Expertly built-to-order
- Available in custom configurations

APPLICATIONS

- Test & Measurement
- Fiber Monitoring
- Commercial & Defense Networks



1689 Regatta Blvd.
Richmond, CA 94804
(510) 620-5200
www.diconfiberoptics.com

Commercial Business
sales@diconfiberoptics.com
US Government Business
sales@diconusa.com

GP600 GENERAL PURPOSE CONFIGURABLE RACKMOUNT SYSTEM

MULTIMODE OPTICAL SWITCHES

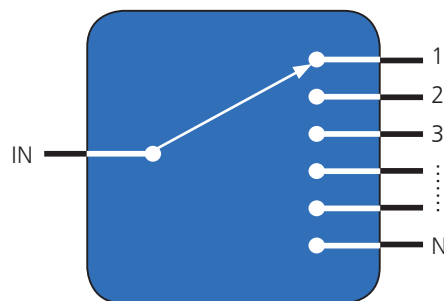
TABLE OF CONTENTS

MEMS 1xN Switches	3 - 4
Chassis Specifications	5 - 6

DiCon Fiberoptics' Multimode Optical Switches allow the automated and repeatable connection of one fiber to the other.

- Industry proven MEMS technology
- Reliable, long life design
- High density to minimize rack space

MEMS 1xN OPTICAL SWITCH

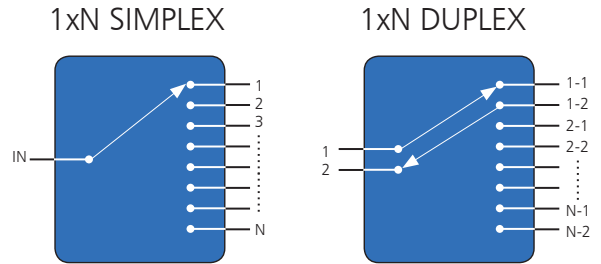


GP600 - MULTIMODE OPTICAL SWITCHES

MEMS 1xN OPTICAL SWITCHES

DiCon's MEMS 1xN optical switches enable the automated, repeatable connection of one common fiber to any of N other fibers. They are ideal for applications that require a number of 1xN switches and/or a rugged solution is needed.

- Industry proven MEMS technology
- Reliable, repeatable performance
- Bi-directional, all-optical design



OPTICAL SPECIFICATIONS (Specifications without connectors at approx. 23°C.)

Parameter	Band	Wavelength (nm)	1x4	1x8	1x12	1x24	1x64	1x128
Insertion Loss, Max w/ LED Source (dB)	Single Band	850	1.0			2.0		
		980						
1310								
1550								
	Dual Band	850 & 1310	1.5		3.0			
Crosstalk (dB)	-25 Max.							
Back-Reflection (dB)	-20 Max.							
Switching Time (ms)	30 Max.							
Repeatability (dB)	0.04 Max.							
Durability (cycles)	1 Billion Min.							
Optical Power	500 mW Max.							
Fiber Type	50/125 um // 62.5/125 um multimode fiber							

GP600 - MULTIMODE OPTICAL SWITCHES

MEMS 1xN ORDERING INFORMATION

GP600 - - - / - - - - -

Product Code

GP600 GP600 System

Chassis Type

- 1U** 1U Rackmount
- 2U** 2U Rackmount
- 4U** 4U Rackmount
- 4E** 4U Extended Rackmount
- B** Benchtop Chassis

Product Type

MS MEMS 1xN Optical Switch

Number of Switches

Number of Switches

Switch Type

- 1xN** 1xN Simplex
- 1xN/DS** 1xN Duplex

Wavelength Range

- 8** 850 nm
- 9** 980 nm
- 13** 1310 nm
- 15** 1550 nm
- 8/13** 850 nm & 1310 nm

Fiber and Jacket Type

- 50** 50/125 um multimode fiber
- 62** 62.5/125 um multimode fiber

Connector Type

- FC** FC/PC
- LC** LC/PC
- SC** SC/PC
- ST** ST/PC
- E2000/APC** E2000/APC

Connector Location

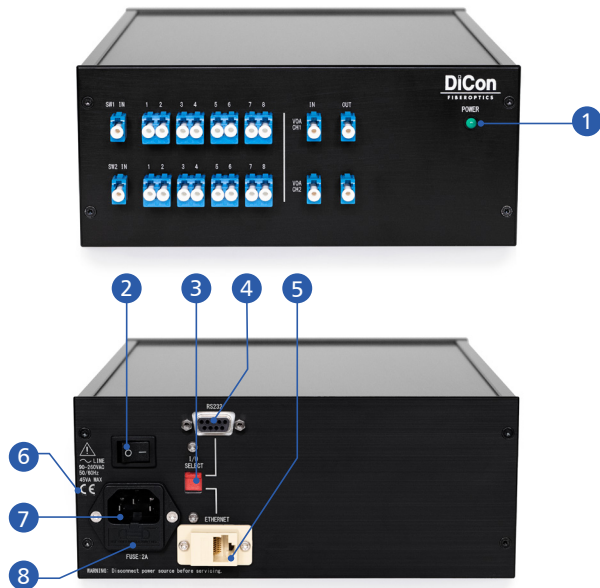
- F** Front Panel
- R** Rear Panel

GP600 - CHASSIS

ELECTRICAL SPECIFICATIONS

Parameter		Rating
Control	Interface	Ethernet 10/100 Base T and RS-232
	Ethernet/RS-232 Switch	Manual slide switch on rear to select control method
Power Supply	Voltage	90 - 264 VAC
	Frequency	47 - 63 Hz
	On/Off Switch	2-position toggle on rear
Connectors	Ethernet	RJ45 female receptacle
	RS-232	DB9 female receptacle
	Power Supply	IEC C14 Inlet
	Location	Rear of chassis
Power LED	On State	GP600 is on (Receiving power and power switch is in on position)
	Off State	GP600 is off (Not receiving power, or power switch is in off position)
	Location	Front of chassis

Benchtop Chassis



- 1 Power LED
- 2 Rocker Switch (Toggle to turn unit on and off)
- 3 I/O Select (Switch used to select the one active interface)
- 4 RS-232, DB9 Connector
- 5 Ethernet, RJ45 Connector
- 6 CE Mark
- 7 Power Cord Inlet
- 8 Replaceable Fuse

GP600 - CHASSIS

MECHANICAL SPECIFICATIONS (Dimensions in inches (in) are approximate for reference.)

Chassis	Height		Width		Depth	
	mm	in	mm	in	mm	in
1U	44	1.7	483	19	342	13.5
2U	88	3.5	483	19	435	17.1
4U	177	7.0	483	19	435	17.1
4U Extended (4E)	177	7.0	483	19	554	21.8
Benchtop (B)	88	3.5	210	8	250	9.8

MAXIMUM # OF CONNECTORS

Chassis Size	Panel	FC FC/APC	ST ST/APC	SC SC/APC	LC LC/APC
1U	Front	43	43	57	85
	Rear	11	11	21	24
2U	Front	73	73	89	145
	Rear	55	55	72	121
4U	Front	225	225	240	381
	Rear	190	190	201	288
Benchtop	Front	37	37	60	81
	Rear	24	24	32	56

ENVIRONMENTAL SPECIFICATIONS

Parameter	Rating
Operating Temp	0 to 50°C
Storage Temp	-20 to 60°C
Relative Humidity	0% to 80% non-condensing